

DS100-0

2-POSITION 6-WAY SELECTOR

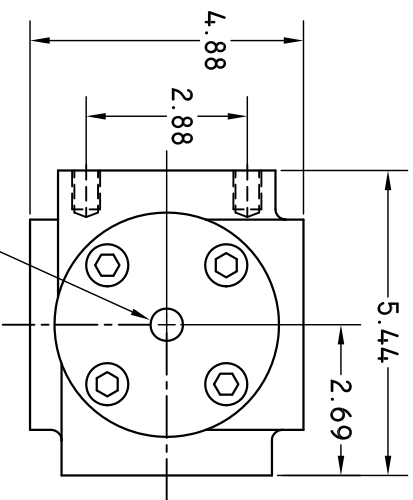
CAPACITY 100 GPM

MAX. PRESSURE 3000 PSI

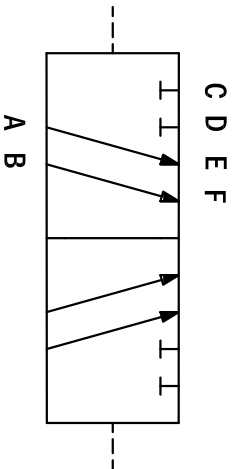
CONNECTIONS SAE 1.5 CODE 61

PILOT PRESSURE 180 PSI MIN.
3000 MAX.

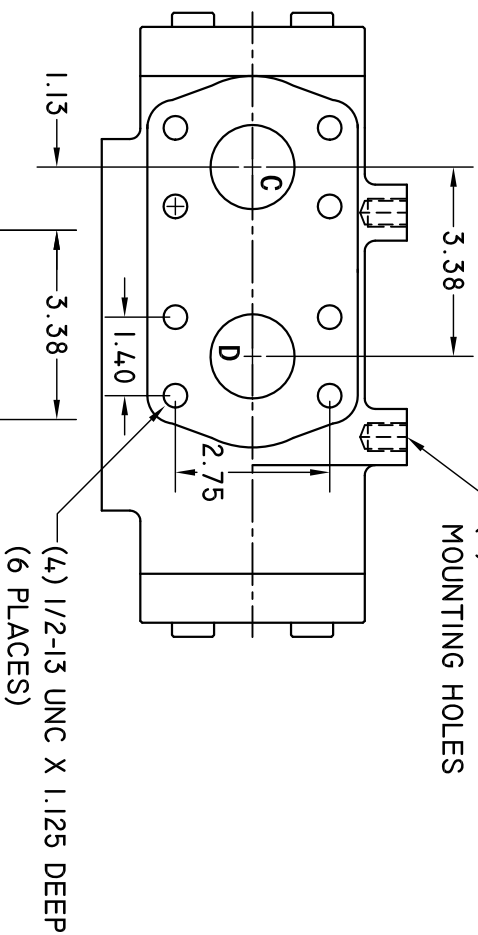
WEIGHT 44 LBS.



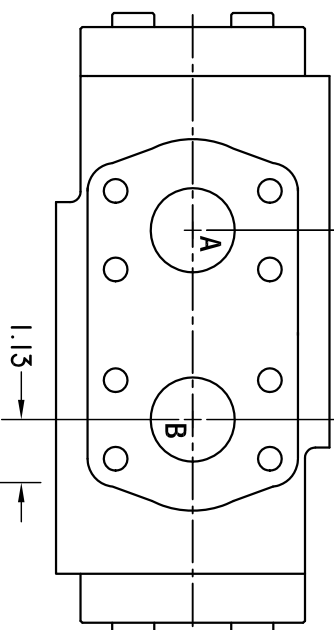
(2) 3/8 NPT
PILOT CONNECTION



(4) 1/2-13 UNC X .75 DEEP
MOUNTING HOLES



(4) 1/2-13 UNC X 1.125 DEEP
(6 PLACES)



(6) SAE 1.50 PORT
CODE 61

