

DS100HP-A

2-POSITION 6-WAY SELECTOR

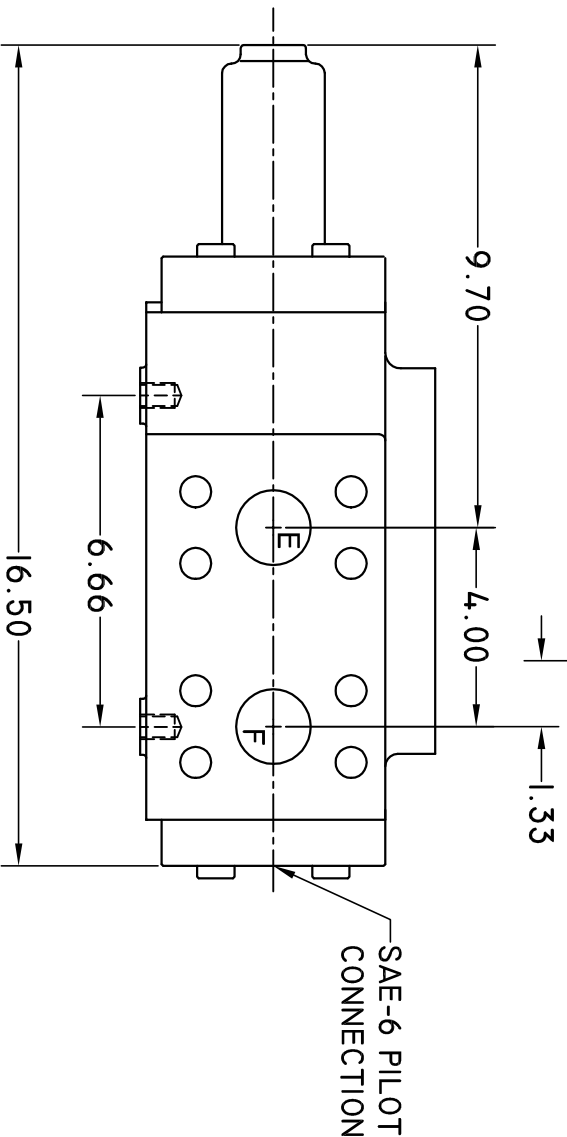
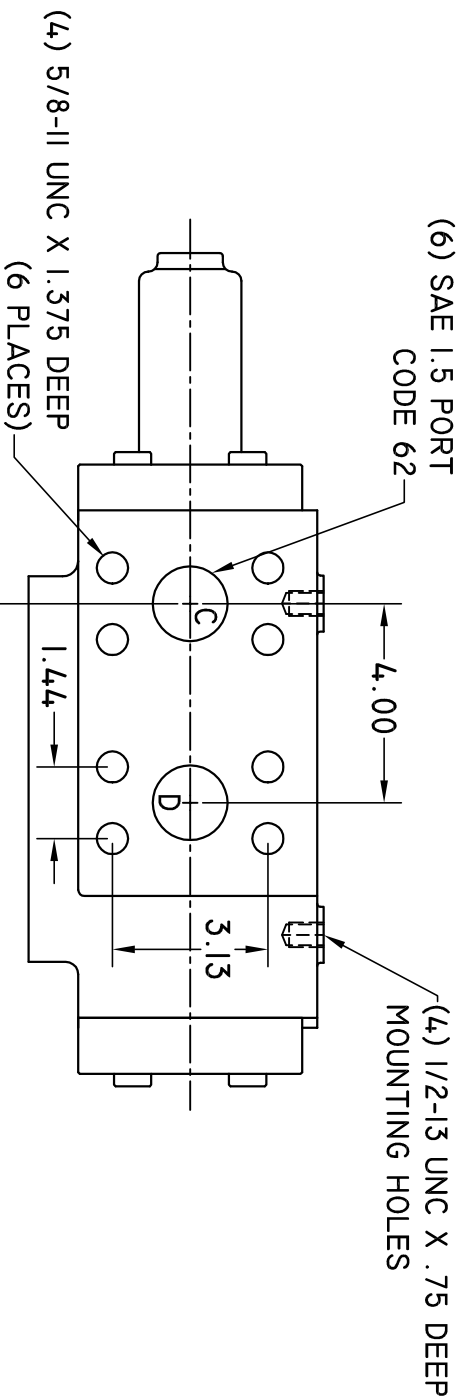
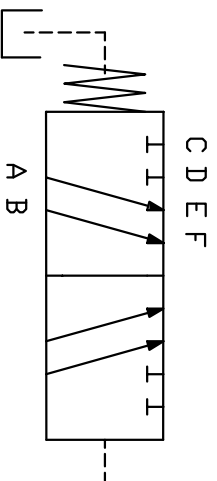
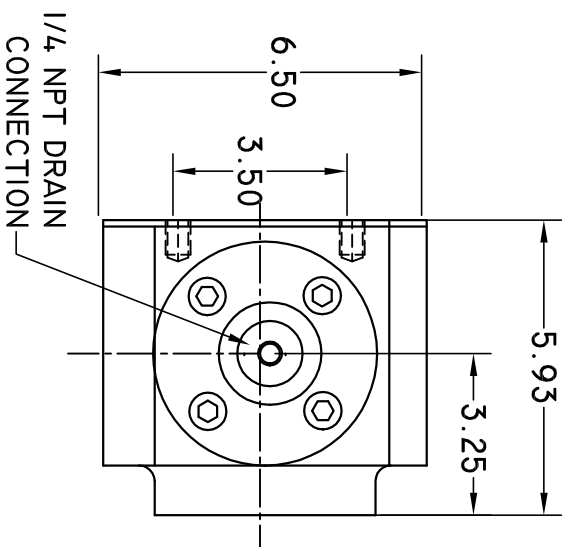
CAPACITY 100 GPM

MAX. PRESSURE 6000 PSI

CONNECTIONS SAE 1.5 CODE 62

PILOT PRESSURE 200 PSI MIN.
3000 MAX.

WEIGHT 77 LBS.



ERROR: syntaxerror
OFFENDING COMMAND: --nostringval--

STACK:

/Title
()
/Subject
(D:20090316101652-07'00')
/ModDate
()
/Keywords
(PDFCreator Version 0.9.5)
/Creator
(D:20090316101652-07'00')
/CreationDate
(Marcie)
/Author
-mark-