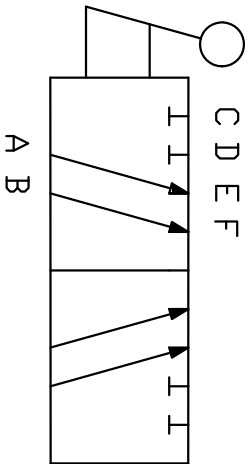
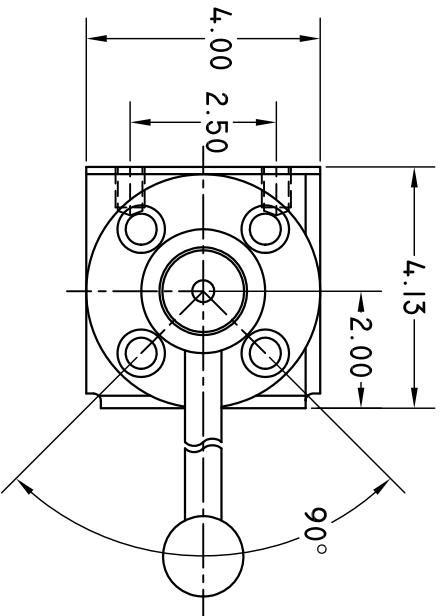


DS70-B

2-POSITION 6-WAY SELECTOR
CAPACITY 70 GPM
MAX. PRESSURE 3000 PSI
CONNECTIONS SAE 1.25 CODE 61
WEIGHT 37 LBS.



(6) SAE 1.25 PORT CODE 61
(4) 7/16-14 UNC X 1.0 DEEP
(6 PLACES)
(4) 1/2-13 UNC X .625 DEEP

