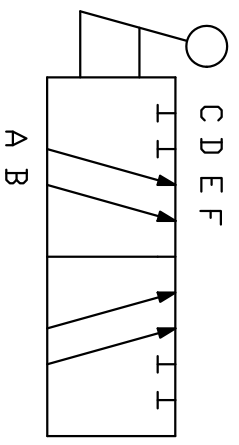
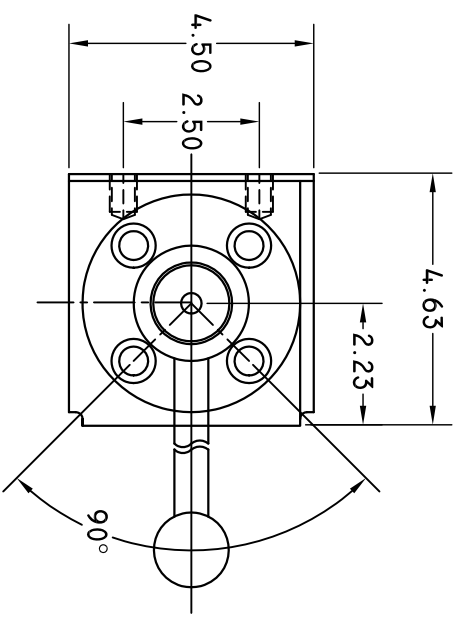


DS70HP-B

2-POSITION 6-WAY SELECTOR
 CAPACITY 70 GPM
 MAX. PRESSURE 6000 PSI
 CONNECTIONS SAE 1.25 CODE 62
 WEIGHT 54 LBS.



(4) 1/2-13 UNC X 1.25 DEEP
 (6 PLACES)
 (6) 1.25 SAE PORT
 CODE 62
 (4) 1/2-13 UNC X .625 DEEP
 MOUNTING HOLES

