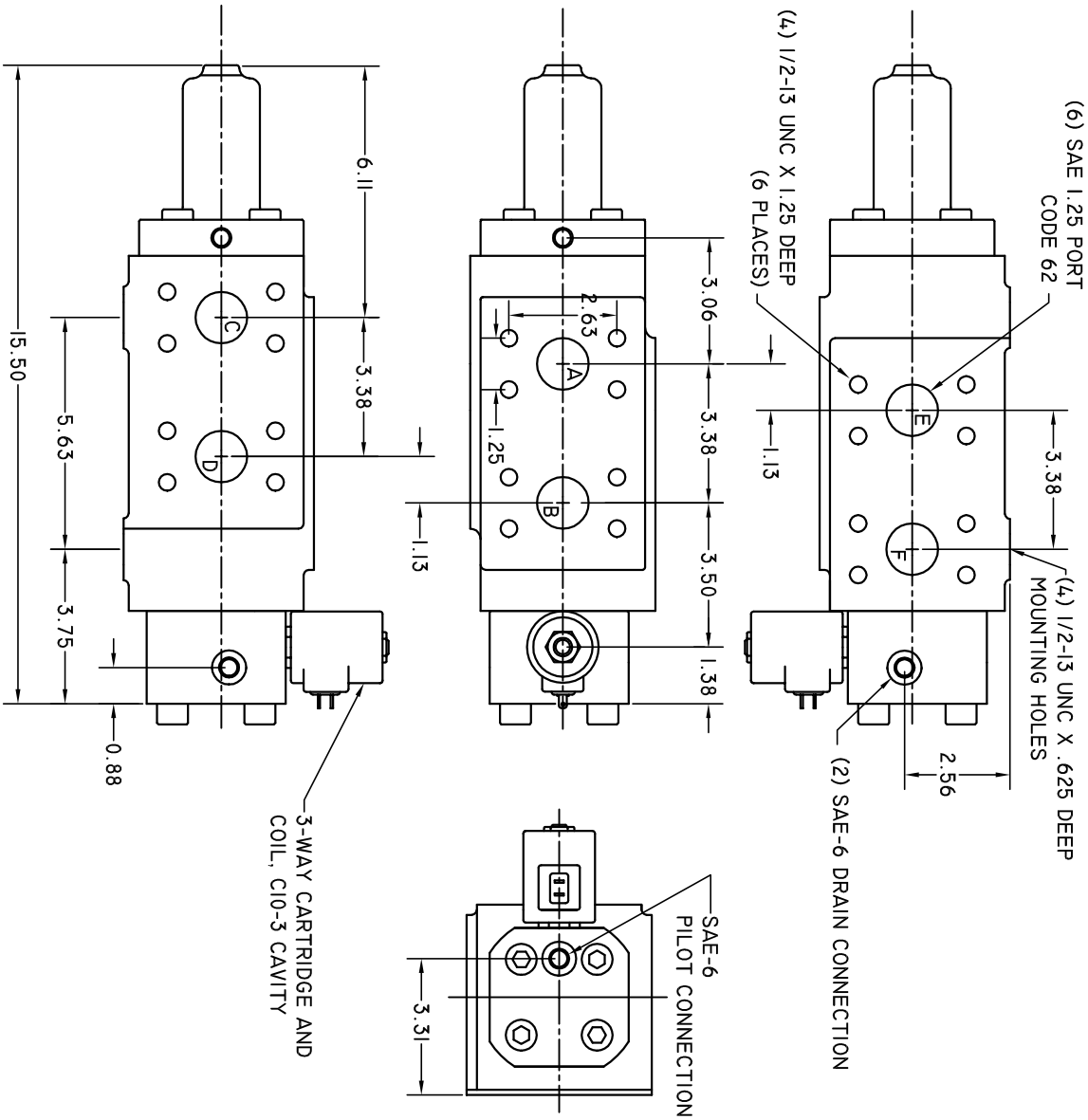
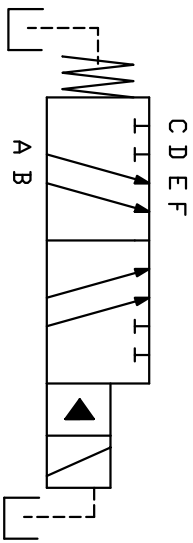
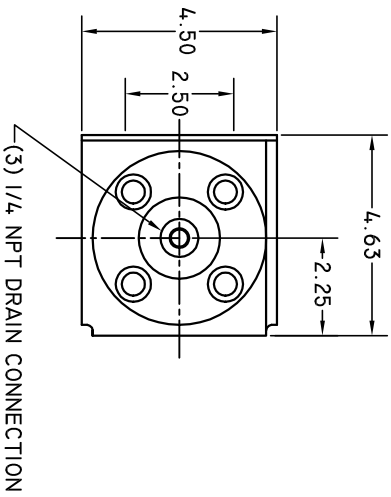


DS70HP-C

2-POSITION 6-WAY SELECTOR
 CAPACITY 70 GPM
 MAX. PRESSURE 6000 PSI
 CONNECTIONS SAE 1.25 CODE 62
 PILOT PRESSURE 180 PSI MIN.
 3000 MAX.
 WEIGHT 55 LBS.



ERROR: syntaxerror
OFFENDING COMMAND: --nostringval--

STACK:

/Title
()
/Subject
(D:20090316101236-07'00')
/ModDate
()
/Keywords
(PDFCreator Version 0.9.5)
/Creator
(D:20090316101236-07'00')
/CreationDate
(Marcie)
/Author
-mark-