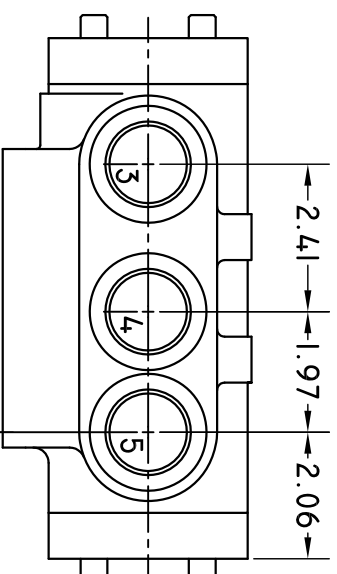
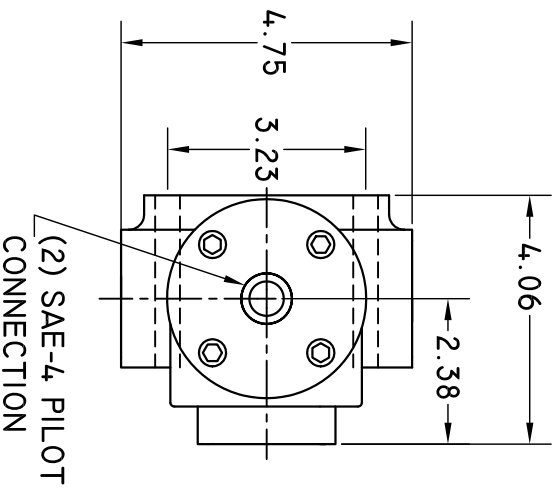


DSP40-1-0

2-POSITION 6-WAY SELECTOR
CAPACITY 4.0 GPM
MAX. PRESSURE 6000 PSI
CONNECTIONS SAE-16
PILOT PRESSURE 200 PSI MIN.
3000 PSI MAX.
WEIGHT 24 LBS.



(2) 13/32 DIA.
MTG. HOLES

