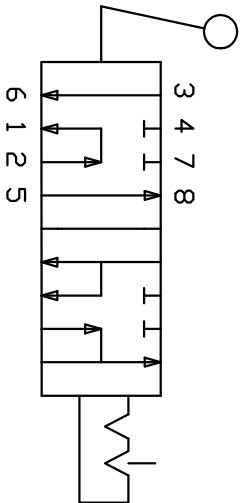
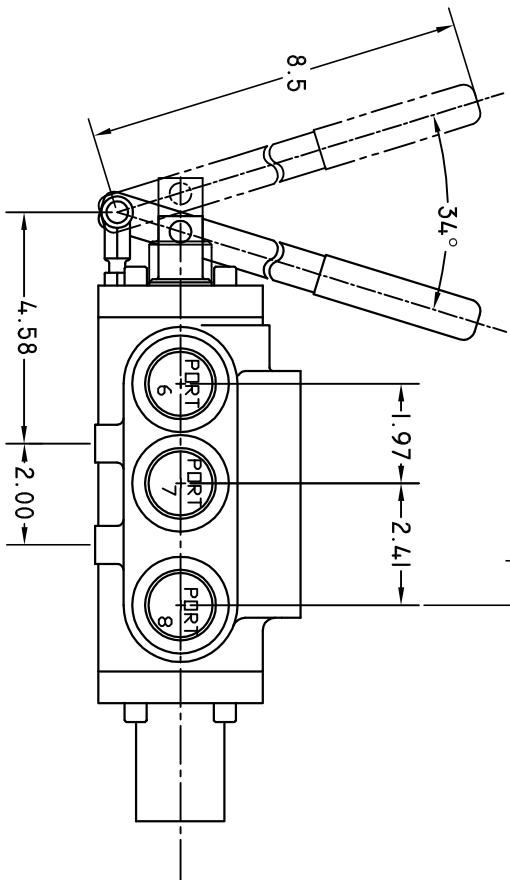
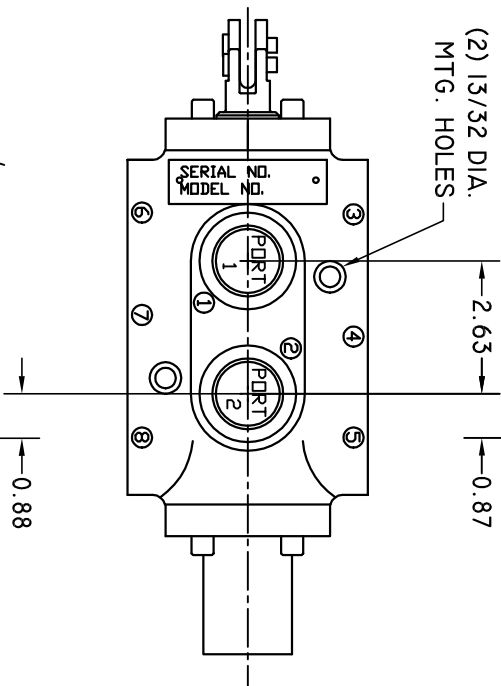
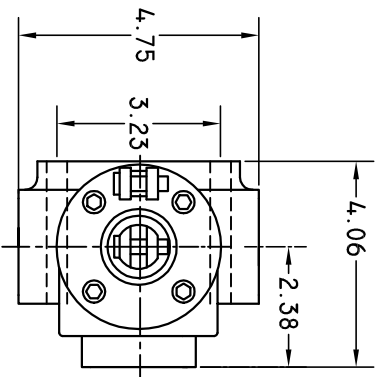
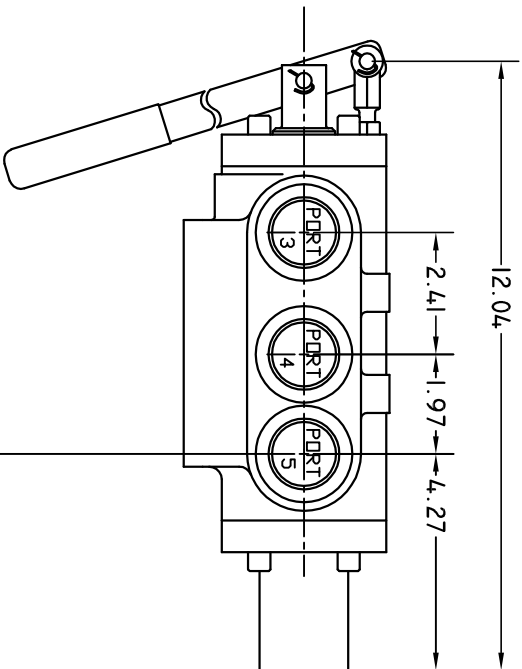


DSP40-2-B

SERIES PARALLEL VALVE
 CAPACITY 4.0 GPM
 MAX. PRESSURE 6000 PSI
 CONNECTIONS SAE-16
 WEIGHT 27 LBS.



ERROR: syntaxerror
OFFENDING COMMAND: --nostringval--

STACK:

/Title
()
/Subject
(D:20091130124620-08'00')
/ModDate
()
/Keywords
(PDFCreator Version 0.9.5)
/Creator
(D:20091130124620-08'00')
/CreationDate
(Marcie)
/Author
-mark-