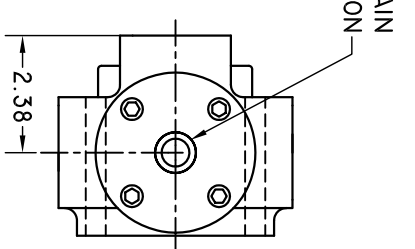
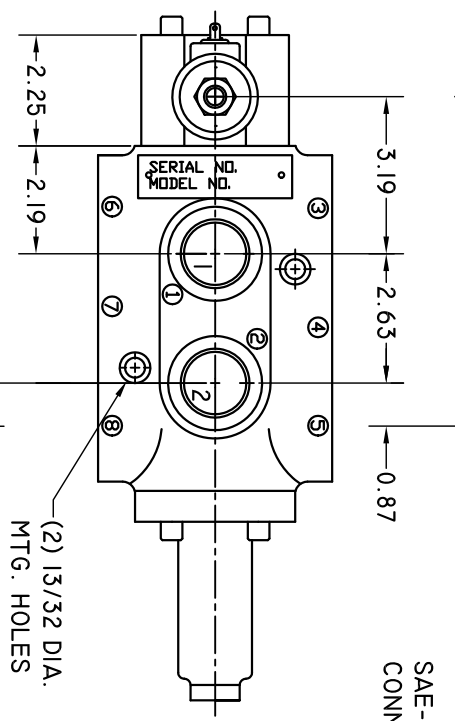
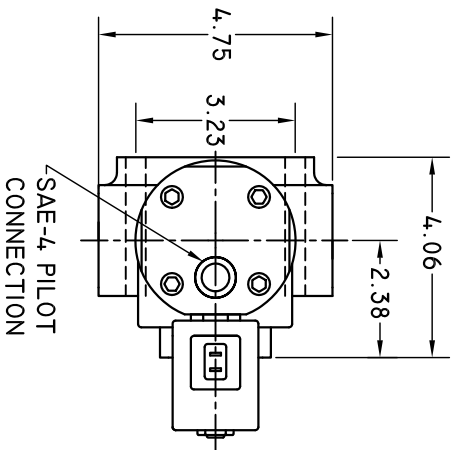
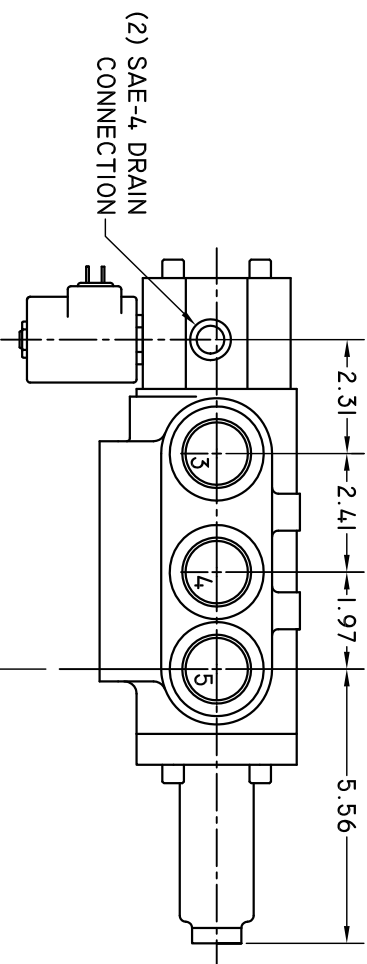


DSP40-2-C

2-POSITION 6-WAY SELECTOR
 CAPACITY 40 GPM
 MAX. PRESSURE 6000 PSI
 CONNECTIONS SAE-16
 PILOT PRESSURE 200 PSI MIN.
 3000 MAX.
 WEIGHT 28 LBS.



3-WAY CARTRIDGE AND COIL
 (C10-3 CAVITY)

