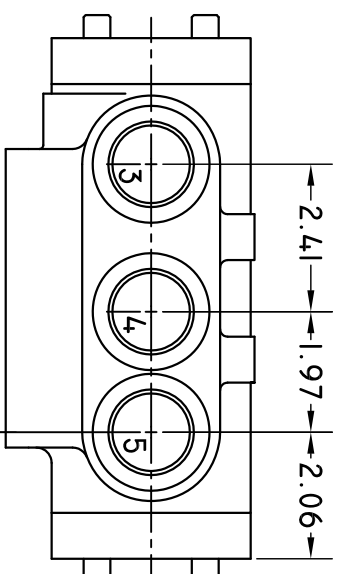
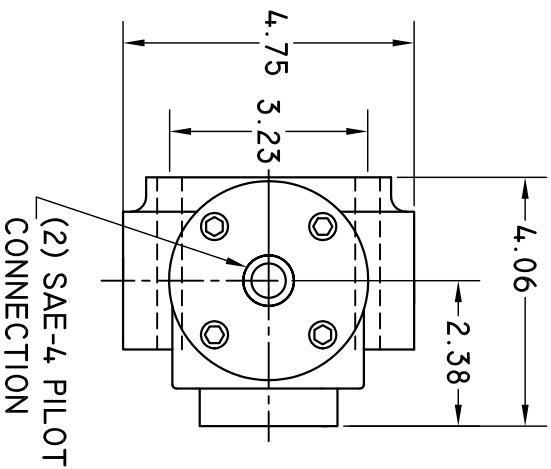


# DSP40-2-0

2-POSITION 6-WAY SELECTOR  
 CAPACITY 40 GPM  
 MAX. PRESSURE 6000 PSI  
 CONNECTIONS SAE-16  
 PILOT PRESSURE 200 PSI MIN.  
 3000 MAX.  
 WEIGHT 24 LBS.



(2) 13/32 DIA.  
 MTG. HOLES

