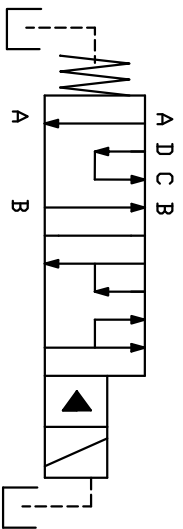
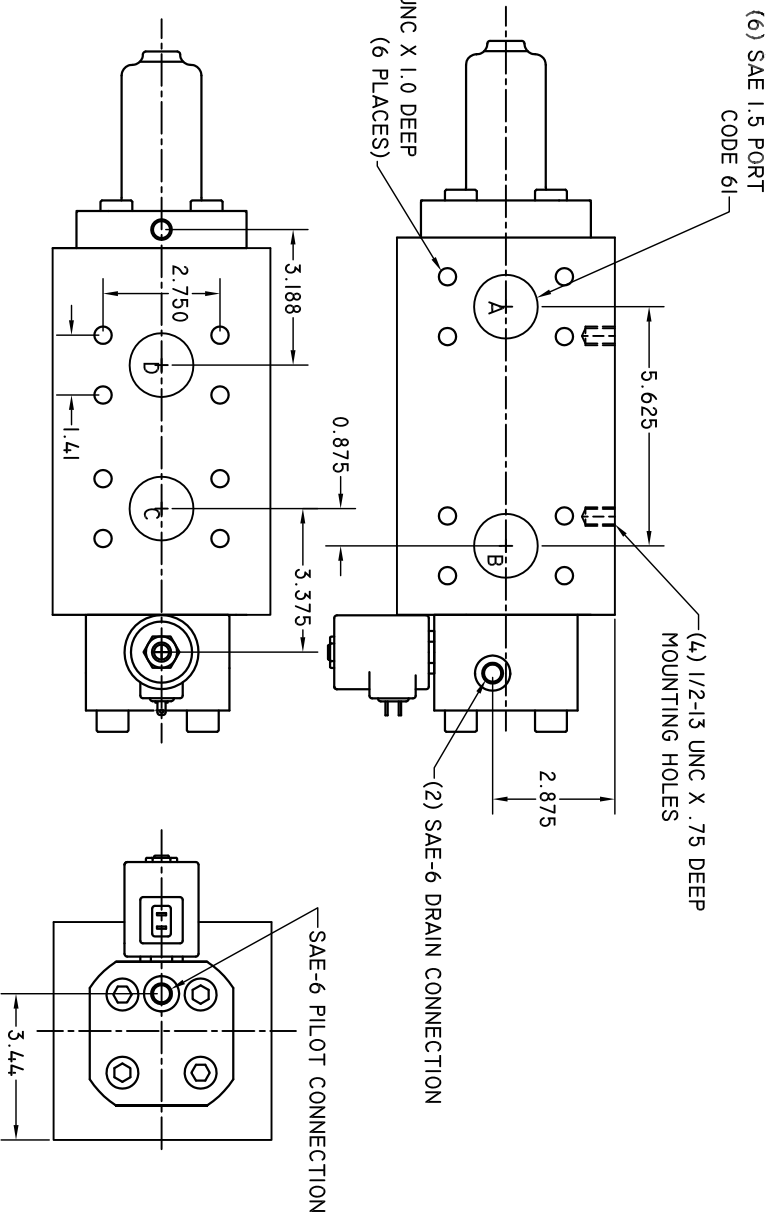
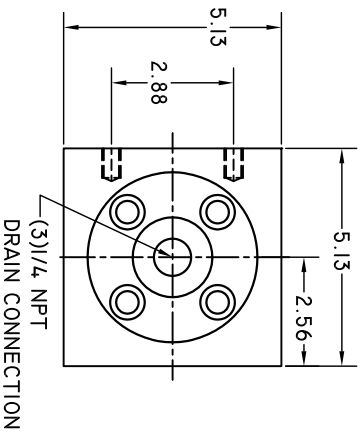


SP100-C

2-POSITION 6-WAY SELECTOR
 SERIES-PARALLEL VALVE
 CAPACITY 100 GPM
 MAX. PRESSURE 3000 PSI
 CONNECTIONS SAE 1.5 CODE 61
 PILOT PRESSURE 180 PSI MIN.
 3000 MAX.
 WEIGHT 4.3 LBS.



SPRING ON PORT A END : SERIES IN RELAXED MODE
 SPRING ON PORT B END: PARALLEL IN RELAXED MODE

