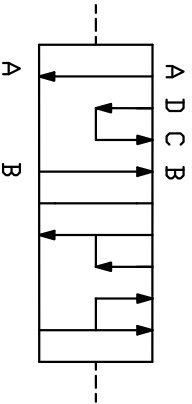
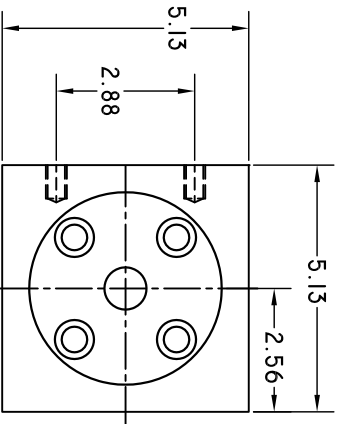


SP100-0

2-POSITION 6-WAY SELECTOR
 SERIES-PARALLEL VALVE
 CAPACITY 100 GPM
 MAX. PRESSURE 3000 PSI
 CONNECTIONS SAE 1.5 CODE 61
 PILOT PRESSURE 180 PSI MIN.
 3000 MAX.
 WEIGHT 43 LBS.



PILOT ON PORT A END - SERIES MODE
 PILOT ON PORT B END - PARALLEL MODE

