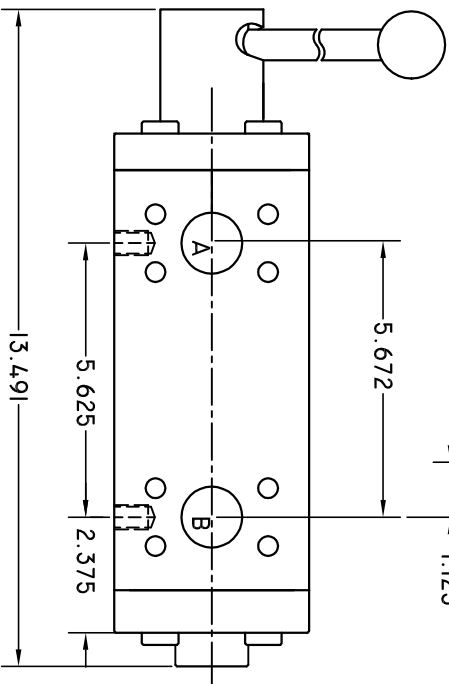
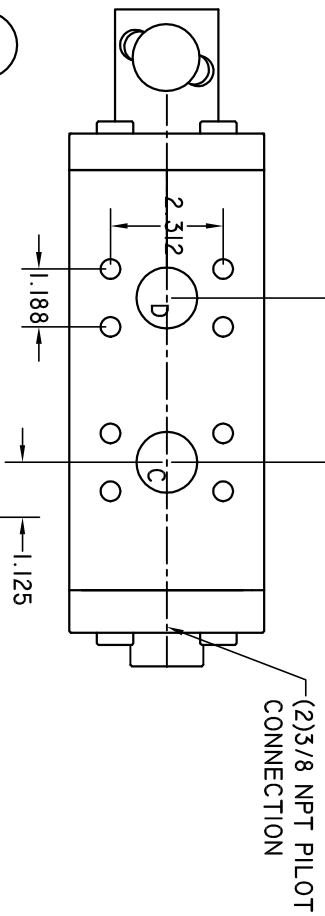
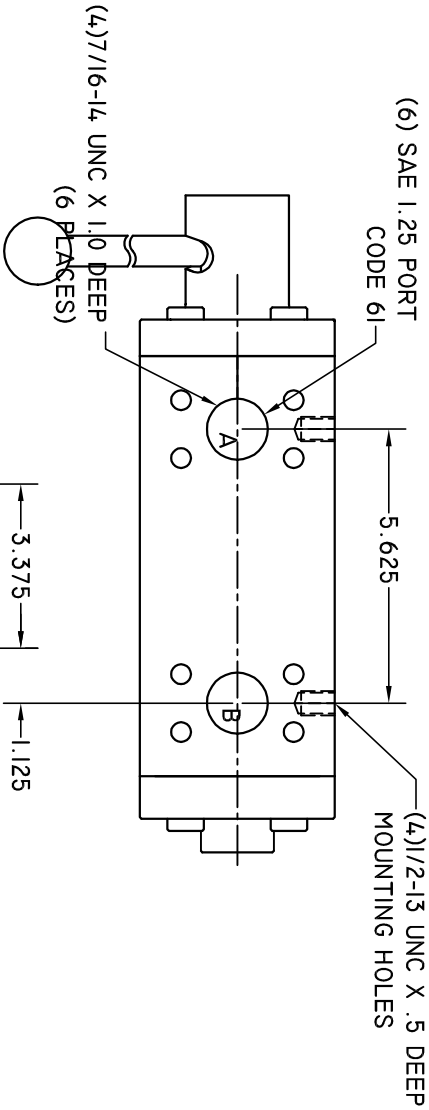
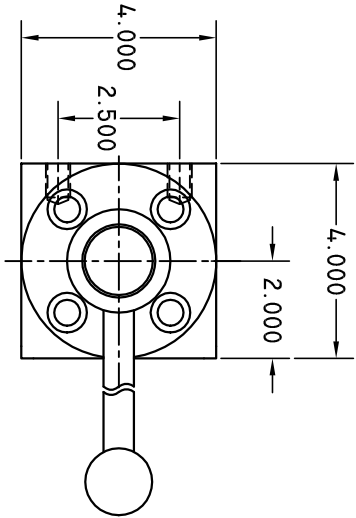
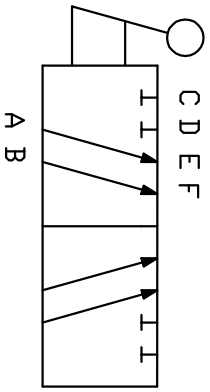


# SP70-B

2-POSITION 6-WAY SELECTOR  
 SERIES-PARALLEL VALVE  
 CAPACITY 70 GPM  
 MAX. PRESSURE 3000 PSI  
 CONNECTIONS SAE 1.25 CODE 61  
 WEIGHT 4.0 LBS.



PILOT ON PORT A END - SERIES MODE  
 PILOT ON PORT B END - PARALLEL MODE



ERROR: syntaxerror  
OFFENDING COMMAND: --nostringval--

STACK:

/Title  
( )  
/Subject  
(D:20090316104607-07'00')  
/ModDate  
( )  
/Keywords  
(PDFCreator Version 0.9.5)  
/Creator  
(D:20090316104607-07'00')  
/CreationDate  
(Marcie)  
/Author  
-mark-