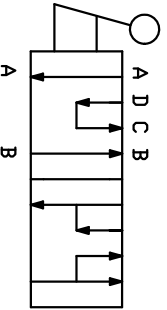
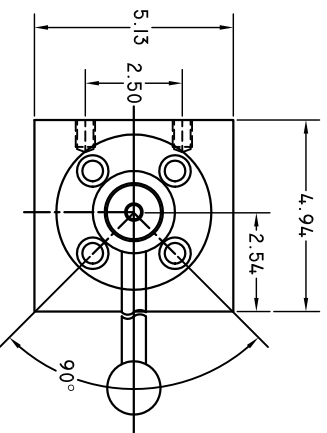


SP70HP-B

2-POS 6-WAY SERIES PARALLEL VALVE
 CAPACITY 70 GPM
 MAX. PRESSURE 6000 PSI
 CONNECTIONS SAE 1.25 CODE 62
 WEIGHT 4.5 LBS.



HANDLE IN : SERIES MODE
 HANDLE OUT : PARALLEL MODE

