

SS100-0

2-POSITION 3-WAY SELECTOR
CAPACITY 100 GPM
MAX. PRESSURE 3000 PSI
CONNECTIONS SAE 1.5 CODE 61
PILOT PRESSURE 180 PSI MIN.
3000 MAX.
WEIGHT 32 LBS.

(4) 1/2-13 UNC X 1.0 DEEP

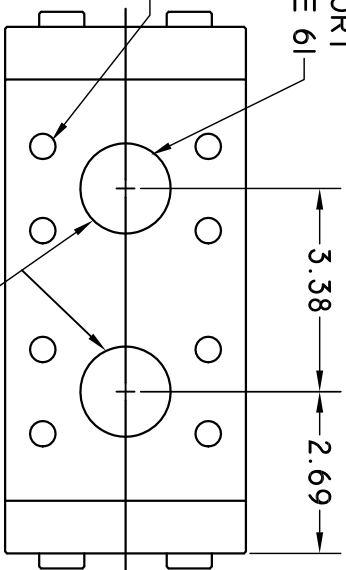
(3) PLACES)

(3) SAE 1.5 PORT
CODE 61

CODE 61

3.38

2.69

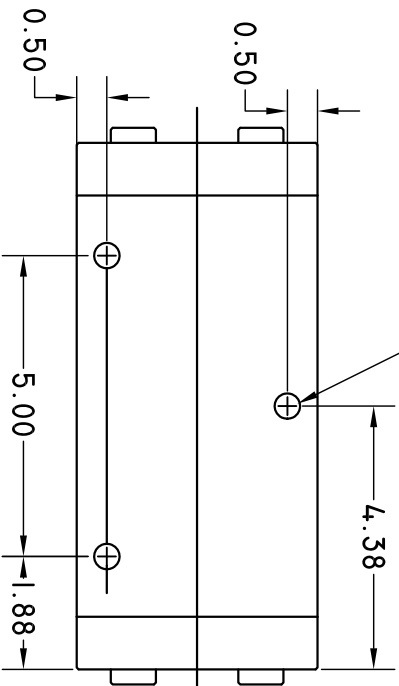


OUTLET PORTS

(3) 1/2-13 UNC X .75 DEEP
MOUNTING HOLES

MOUNTING HOLES

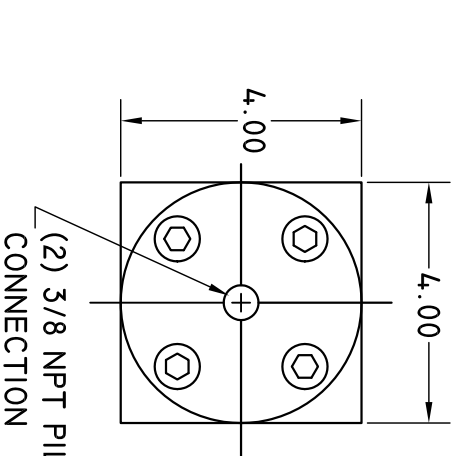
4.38



(2) 3/8 NPT PILOT
CONNECTION

4.00

4.00



INLET PORT

1.40

2.75

4.38

8.75

